



FC8 series

Ultrasonic fork sensors for label detection



features

- Ultrasonic fork sensor for transparent labels, any opaque material with connector M8 4-pole
- Teach-in models with dynamic and remote teach
- Ultrasonic technology
- Small size easy to locate; aluminum case
- NPN and PNP, Lo/Do total configurable
- Width slit detection 3 mm; depth slit detection 69 mm
- Maximum switching frequency 1.500 Hz



Ultrasonic fork sensors

web contents



- Application notes
- Photos
- Catalogue / Manuals



code description

FC8 U / 0 P - M3 07 - 1 F

series	FC8	Ultrasonic fork for labels
technology	U	Ultrasonic
output	0	Lo/Do output selectable, remote teach
PNP / NPN output	P	PNP digital output
	N	NPN digital output
width	M3	Width slit detection 3 mm
depth	07	Depth slit detection 69 mm
housing	1	Metal housing - aluminium
plug	F	M8 plug 4 pin

available models

supply	installation	PNP	NPN	NPN / PNP
12...24 Vdc	M8 4 pins	FC8U/0P-M307-1F	FC8U/0N-M307-1F	FC8U/0B-M307-1F



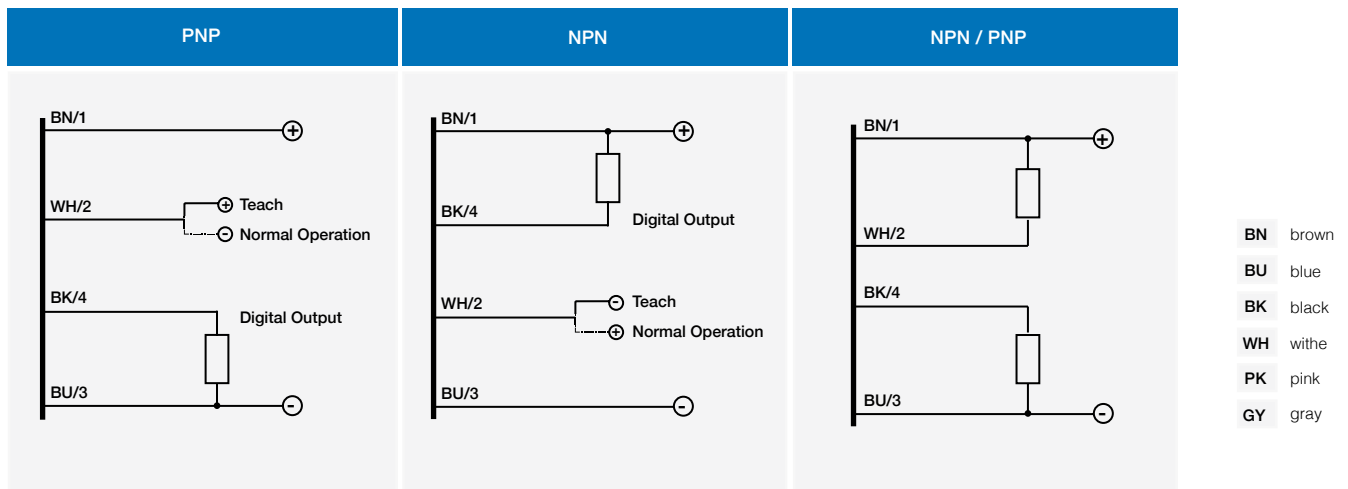
technical specification

FC8U/0*-M307-1F



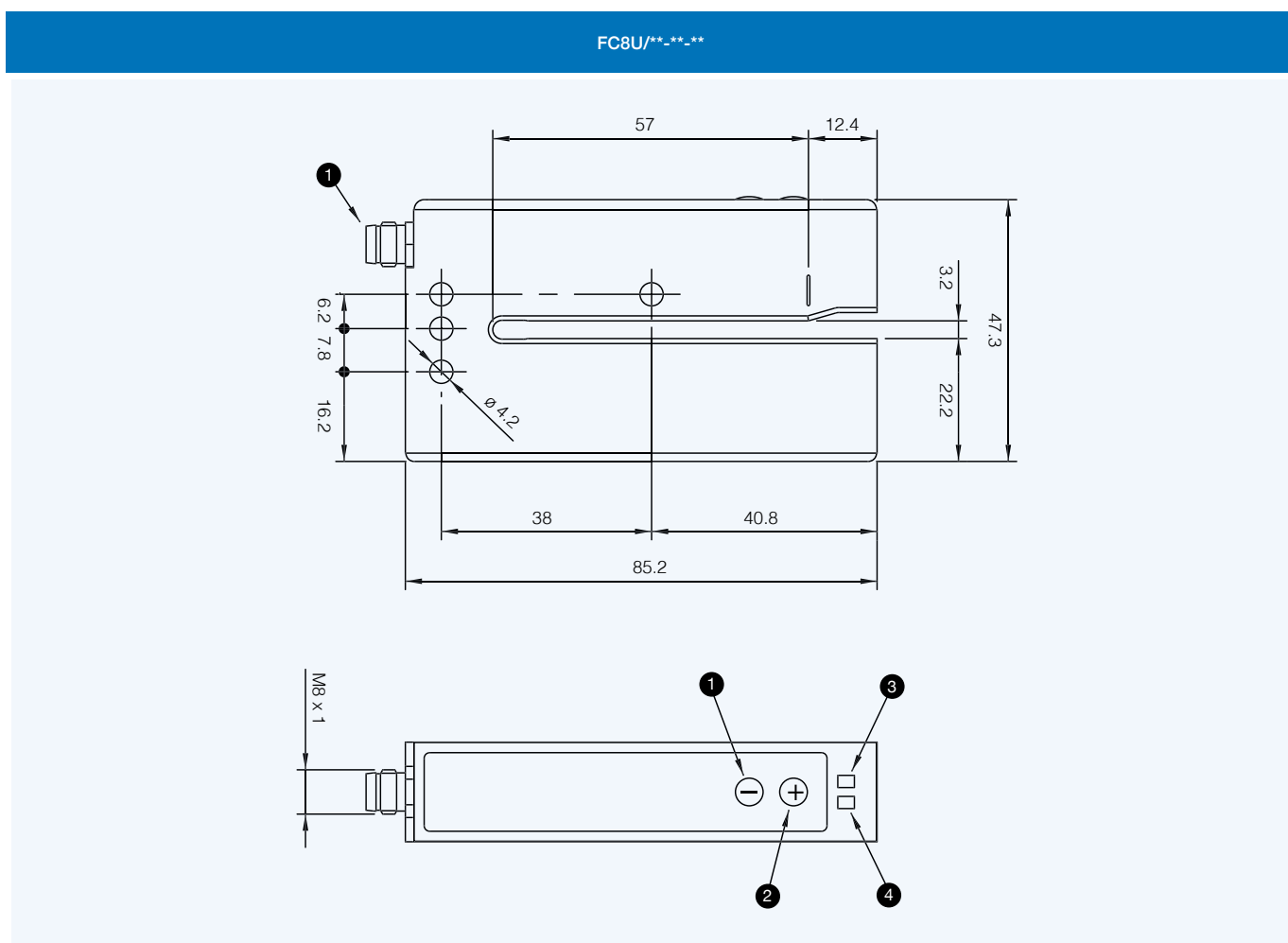
nominal sensing distance	3 mm
minimum length of label	2 mm
minimum sensing distance between 2 labels	2 mm
slot depth detection	69 mm
slot length detection	-
emission	ultrasonic
maximum flow rate	180 m/min
detection accuracy	+/- 0,20 um at 120 m/min
rated operational voltage	12 ... 24 Vdc (with protection against reverse polarity)
max ripple content	10%
no-load supply current	45 mA
load current	100 mA
output voltage drop	≤ 2 V @ IL = 100 mA
switching frequency	1.500 kHz
power on delay	300 us
power supply protections	short-circuit output protected interference suppression
operation temperature range	+ 5 ... +55 °C
storage temperature	- 20 ... +70 °C
protection degree	IP65, IEC (EN60529)
housing material	painted aluminium
connection	M8 4 pins
weight approx.	160 g

electrical diagrams of the connections





dimensions (mm)



- 1 button -
- 2 button +
- 3 yellow LED, "ON" when the outputs are set to 1 (run)
- 4 red LED: keyboard lock and regulation